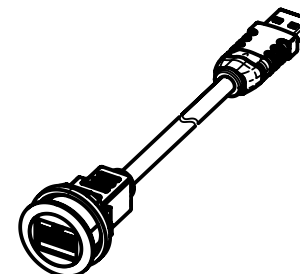
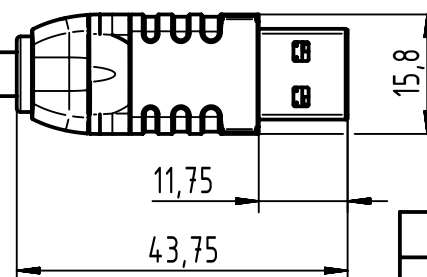
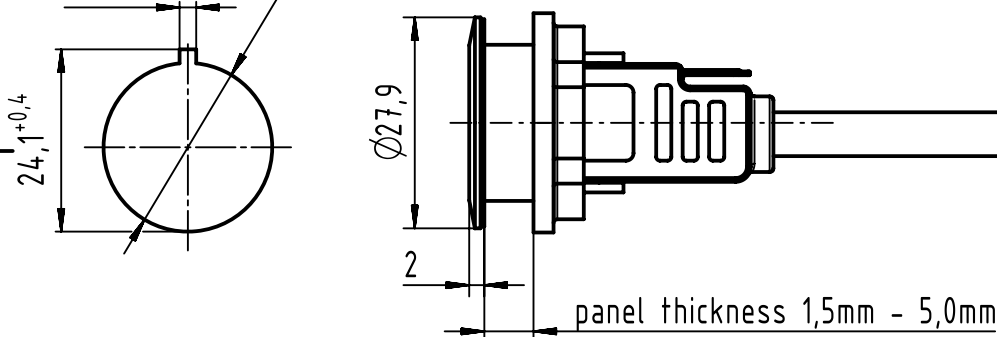
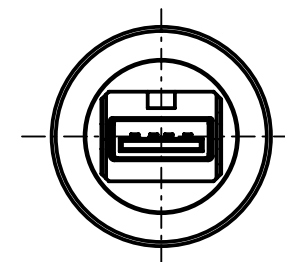
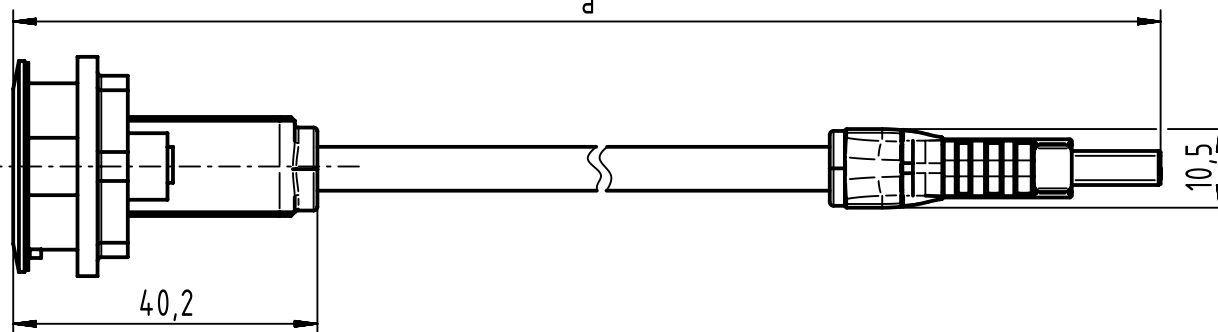
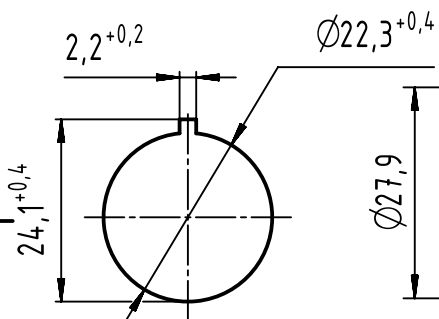
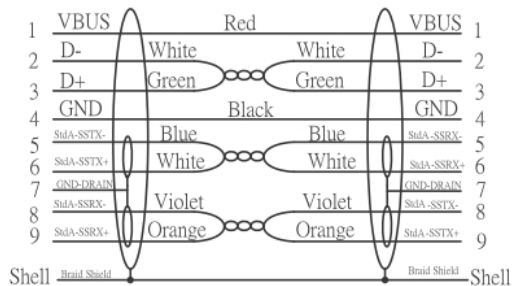


PANEL CUT DIMENSIONS



WIRING DIAGRAM



09 45 452 1934	3,0
09 45 452 1933	2,0
09 45 452 1932	1,5
09 45 452 1931	1,0
09 45 452 1930	0,5
Part number	a [m]

	All Dimensions in mm Original Size DIN A4	Scale	Free size tol.	Ref.		
		1:1	ISO 2768 mH	Sub. TB 0945452193X / 500000091377 / 2015-07-10		
	All rights reserved Department EC PD - RO	Created by	Inspected by	Standardisation	Date	State
		TAMAS	AVRAM	HOFFMANN	2016-11-25	Final Release
HARTING Electronics GmbH D-32339 Espelkamp		Title har-port USB 3.0 A-A PFT silver cable			Doc-Key / ECM-Nr. 100629372/UGD/000/C 500000111080	
		Type	Number	Rev.	Page	
		TB	0945452193X	C	1/1	